

MANUFACTURER :- MASCON TECHNEEDS

CLIENT NAME :- -----

CONSULTANT :- -----

PO.NO :- -----

NOTES:-

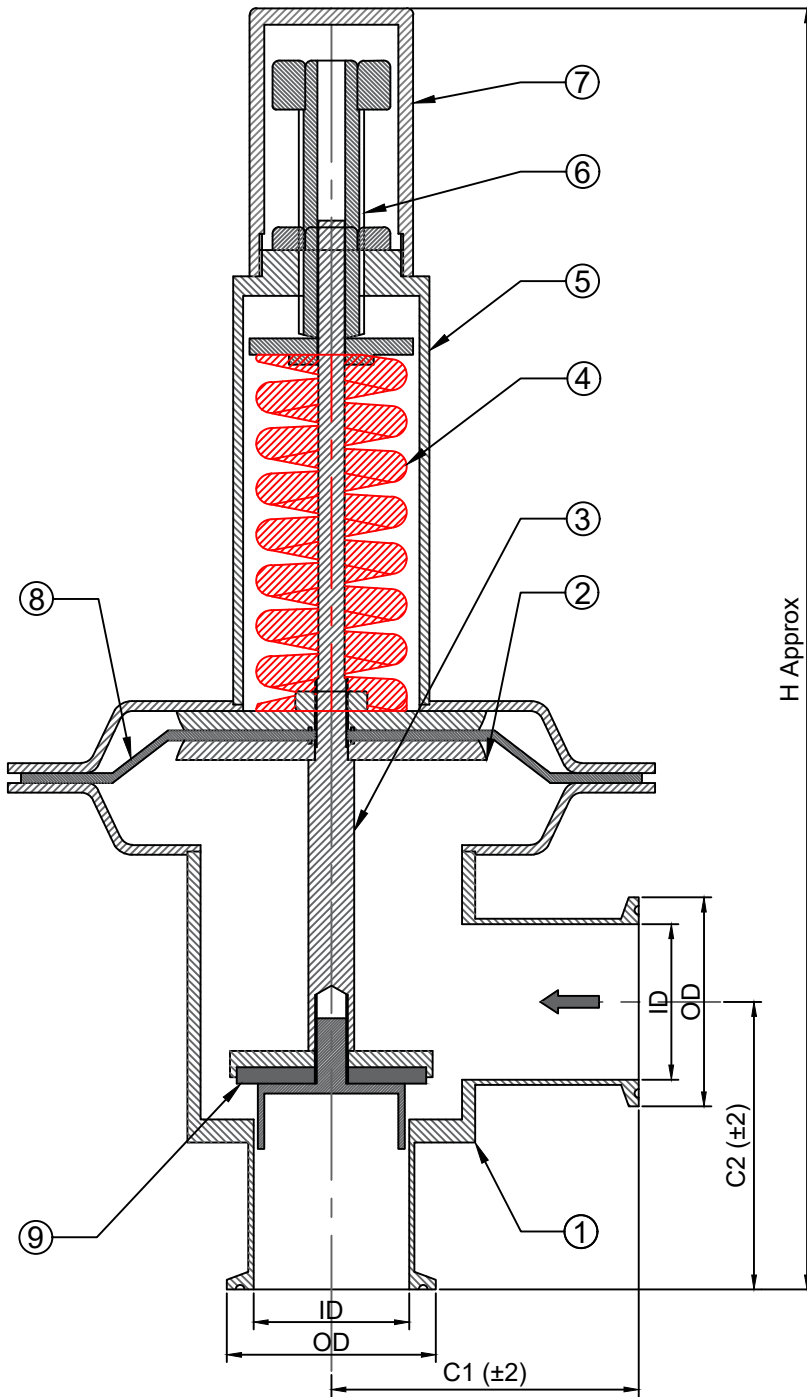
- 1- DO NOT SCALE THE DWG.
- 2- ALL DIMENSIONS ARE IN MM UNLESS OTHERWISE SPECIFIED.
- 3- GENERAL TOLERANCES = ±0.2.
- 4- MATERIAL WILL BE AS PER CUSTOMER REQUIREMENT. EXCEPT FOR STANDARD PARTS.

TECHNICAL SPECS.:-

- Body Test Pressure : 16 Bar.
- Set Pressure Range : 1 to 4 Bar.
- Internal Surface Finish : ≤ 0.4 Micron.
- External Surface finish : Mirror.
- Valve Rating : PN10.
- Max. Temperature : STD-95° C.


STANDARD :-

- Designing - BS EN 13397 : 2002,
- Pipe Connection: ASME BPE : 2007,

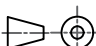


9	SEAT	EPDM	1
8	DIAPHRAGM	EPDM	1
7	CAP	SS 304	1
6	ADJUSTMENT BOLT	SS 304	1
5	SPRING CHAMBER	SS 304	1
4	SPRING	SPRING STEEL	1
3	SPINDLE	SS 316	1
2	DIAPHRAGM PLATE	SS 304	1
1	VALVE BODY	SS 316L	1
NO	DESCRIPTIONS	MOC	Qty.

Size	C1	C2	ID	OD	H
DN 15	80	45	9.4	50.4	218
DN 20	86	79	15.8	50.4	379
DN 25	86	79	22.2	50.4	379
DN 40	86	79	34.8	50.4	379
DN 50	94	88	47.6	64	392
DN 65	94	88	60.3	77	405
DN 80	101	97	73	91	420



DESCRIPTION : PRESSURE HOLDING VALVE (PHV) RUBBER DIAPHRAGM .

DRAW BY	KALPESH	13/08/2021	FOR :	REV.:- 0
DESIGN BY	SANDEEP	13/08/2021	SCALE : NTS	SHEET 1 OF 1.
CHD. BY	SANDEEP	13/08/2021	MODEL: PHV1	PROJ.
APPD. BY	PRK Sir	13/08/2021	DRG. NO : GA/PHV1/13-08-21	

DRG. NO : GA/PHV1/13-08-21