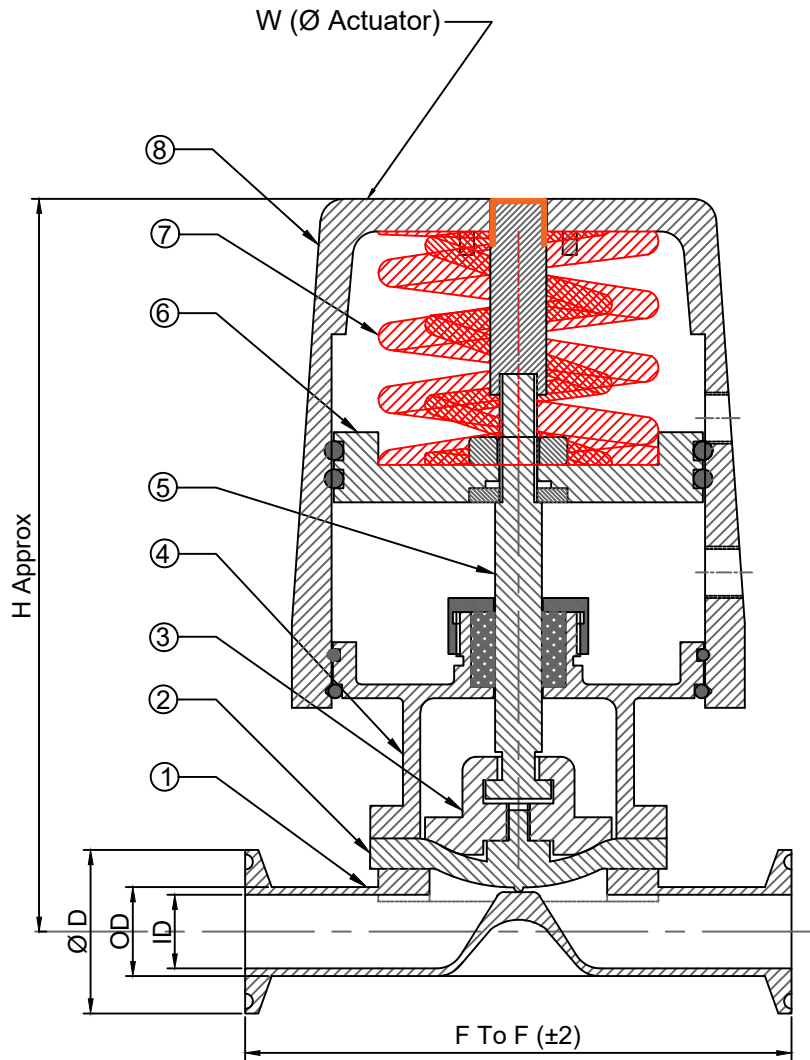


MANUFACTURER :- MASCON TECHNEEDS**CLIENT NAME :- -----****CONSULTANT :- -----****PO.NO :- -----**

NOTES:-

- 1- DO NOT SCALE THE DWG.
- 2- ALL DIMENSIONS ARE IN MM UNLESS OTHERWISE SPECIFIED.
- 3- GENERAL TOLERANCES = ± 0.2 .
- 4- MATERIAL WILL BE AS PER CUSTOMER REQUIREMENT. EXCEPT FOR STANDARD PARTS.

**TECHNICAL SPECS.:-**

- Body Test Pressure : 16 Bar.
- Seat Test Pressure : 10 Bar.
- Internal Surface Finish : ≤ 0.4 Micron.
- External Surface finish : As Cast.
- Valve Rating : PN10.
- Actuator Inlet Connection Size : $\frac{1}{8}$ " BSP(F).
- Max. Temperature : STD-120° C.
- Actuating Pressure 5 To 7 Bar.

STANDARD :-

- Designing - BS EN 13397 : 2002,
- Pipe Connection: ASME BPE : 2007,
- Face to Face : BS EN 558-1 : 1996.

DIAPHRAGM :-

- Optional -ED+TF, EPDM,SILICON, ED+TFP .

REMARKS :-

- F To F For DN8, DN10 & DN15 -108 (If used ED+TFP)
- ACTUATOR FOR DN80 - SS 304 (Only)

Size	F To F	D	OD	ID	H	W
DN 8	84	Ø25	12.7	3.05	100	55
DN 10	84	Ø25	12.7	6.35	100	55
DN 15	84	Ø25	12.7	9.4	100	55
DN 20	116	Ø50.4	19.1	15.8	157	97
DN 25	127	Ø50.4	25.4	22.2	165	97
DN 40	160	Ø50.4	38.1	34.8	222	153
DN 50	190	Ø64	50.8	47.6	240	153
DN 65	216	Ø77	63.5	60.3	245	153
DN 80	254	Ø91	76.2	73	380	202

8	ACTUATOR	GFN / SS 304	1
7	ACTUATOR SPRING	SPRING STEEL	2
6	PISTON	AL.	1
5	SPINDLE	SS 304	1
4	VALVE BONNET	SS 304	1
3	COMPRESSOR	SS 304	1
2	DIAPHRAGM	OPTIONAL	1
1	VALVE BODY	SS 316L	1
NO	DESCRIPTIONS	MOC	Qty.

DESCRIPTION : PNEUMATIC DIAPHRAGM VALVE .

DRAW BY	KALPESH	13/08/2021	FOR :	REV.- 0
DESIGN BY	SANDEEP	13/08/2021	SCALE : NTS	SHEET 1 OF 1.
CHD. BY	SANDEEP	13/08/2021	MODEL: 261P	PROJ.
APPD. BY	PRK Sir	13/08/2021	DRG. NO :GA/261P/13-08-21	