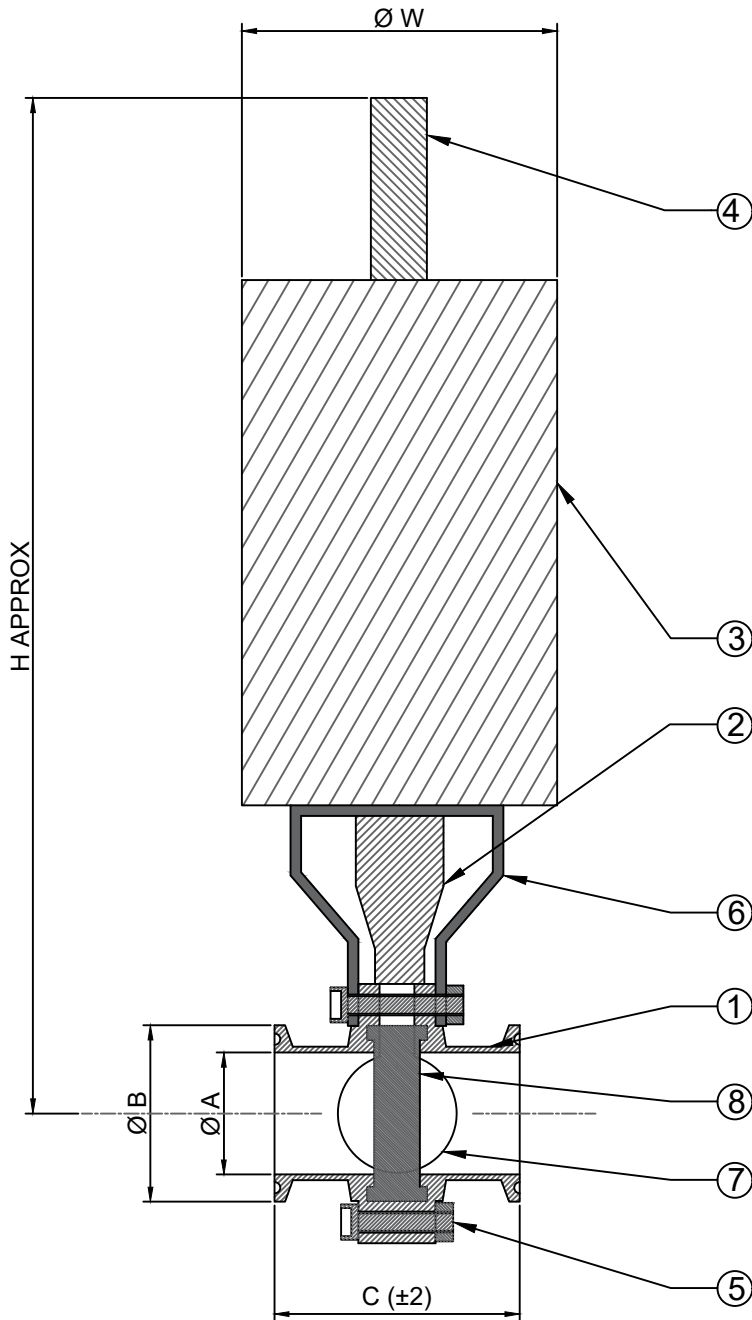


**MANUFACTURER :- MASCON TECHNEEDS****CLIENT NAME :- -----****CONSULTANT :- -----****PO.NO :- -----****NOTES:-**

- 1- DO NOT SCALE THE DWG.
- 2- ALL DIMENSIONS ARE IN MM UNLESS OTHERWISE SPECIFIED.
- 3- GENERAL TOLERANCES =  $\pm 0.2$ .
- 4- MATERIAL WILL BE AS PER CUSTOMER REQUIREMENT. EXCEPT FOR STANDARD PARTS.

**TECHNICAL SPECS.:-**

- Body Test Pressure : 16 Bar.
- Seat Test Pressure : 10 Bar.
- Internal Surface Finish :  $\leq 0.4$  Micron.
- External Surface finish : As Cast.
- Valve Rating : PN10.
- Actuator Inlet Connection Size :  $\frac{1}{8}$ " BSP(F).
- Max. Temperature : STD-120° C.
- Actuating Pressure 5 To 7 Bar.

**STANDARD :-**

- Designing - BS EN 13397 : 2002,
- Pipe Connection: ASME BPE : 2007,
- Face to Face : BS EN 558-1 :1996.

NO	DESCRIPTIONS	MOC	Qty.
8	SEAT & SEALING	SILICON	1
7	FLAP	SS 316L	1
6	BRACKET	SS 304	1
5	ALLEN BOLT & NUT	SS 304	4SET
4	INDICATOR	SS 304	1
3	ACTUATOR	SS 304	1
2	LINKAGE	SS 304	1
1	VALVE BODY	SS 316L	1

SIZE	A	B	C	W	H
DN25	22.1	50.4	66	88	290
DN40	34.8	50.4	70	88	290
DN50	47.5	64	71	88	300
DN65	60.2	77	74	88	310
DN80	72.2	91	75	88	325

DESCRIPTION : BUTTERFLY VALVE PNEUMATIC.

DRAW BY	KALPESH	13/08/2021	FOR :	REV.:- 0
DESIGN BY	SANDEEP	13/08/2021	SCALE : NTS	SHEET 1 OF 1.
CHD. BY	SANDEEP	13/08/2021	MODEL: LS/44S/TC	PROJ.
APPD. BY	PRK Sir	13/08/2021	DRG. NO : GA/LS/44S/TC/13-08-21	

