

MANUFACTURER :- MASCON TECHNEEDS

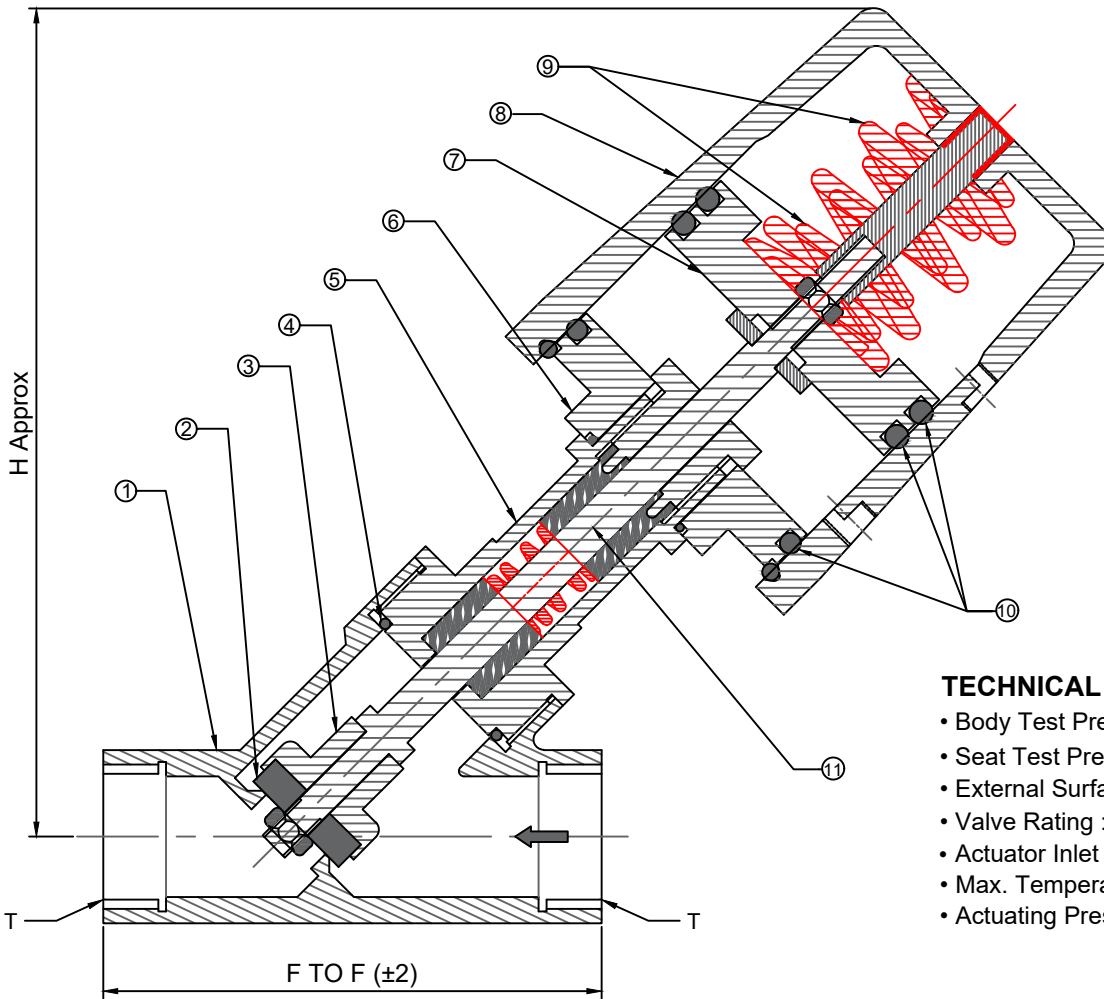
CLIENT NAME :- -----

CONSULTANT :- -----

PO.NO :- -----

NOTES:-

- 1- DO NOT SCALE THE DWG.
- 2- ALL DIMENSIONS ARE IN MM UNLESS OTHERWISE SPECIFIED.
- 3- GENERAL TOLERANCES = ±0.2.
- 4- MATERIAL WILL BE AS PER CUSTOMER REQUIREMENT. EXCEPT FOR STANDARD PARTS.



TECHNICAL SPECS.:-

- Body Test Pressure : 16 Bar.
- Seat Test Pressure : 10 Bar.
- External Surface finish : As Cast.
- Valve Rating : PN10.
- Actuator Inlet Connection Size : 1/8" BSP(F).
- Max. Temperature : STD-150° C.
- Actuating Pressure 5 To 7 Bar.

STANDARD :-

- Pipe Connection: ASME BPE : 2007,

NO	DESCRIPTIONS	MOC	Qty.
11	SPINDLE	SS 316	1
10	SEALING RING	NITRILE	3
9	SPRING	SPRING STEEL	2
8	ACTUATOR	GFN	1
7	PISTON	AL .	1
6	BOTTOM PLATE	AL .	1
5	BONNET	SS 304	1
4	SEALING RING	VITON	1
3	BUD CAP	SS 316	1
2	SEAT	PTFE	1
1	VALVE BODY	SS 316	1

Size	F To F	T	H
15 NB	87	1/2" BSP	155
20 NB	95	3/4" BSP	158
25 NB	111	1" BSP	177
40 NB	130	1 1/2" BSP	194
50 NB	149	2" BSP	210



DESCRIPTION : PNEUMATIC OPERATED 'Y' TYPE PISTON VALVE.

DRAW BY	KALPESH	13/08/2021	FOR :	REV.:- 0
DESIGN BY	SANDEEP	13/08/2021	SCALE : NTS	SHEET 1 OF 1.
CHD. BY	SANDEEP	13/08/2021	MODEL:211P/BSP	PROJ.
APPD. BY	PRK Sir	13/08/2021	DRG. NO : GA/211P/BSP/13-08-21	