

MANUFACTURER :- MASCON TECHNEEDS

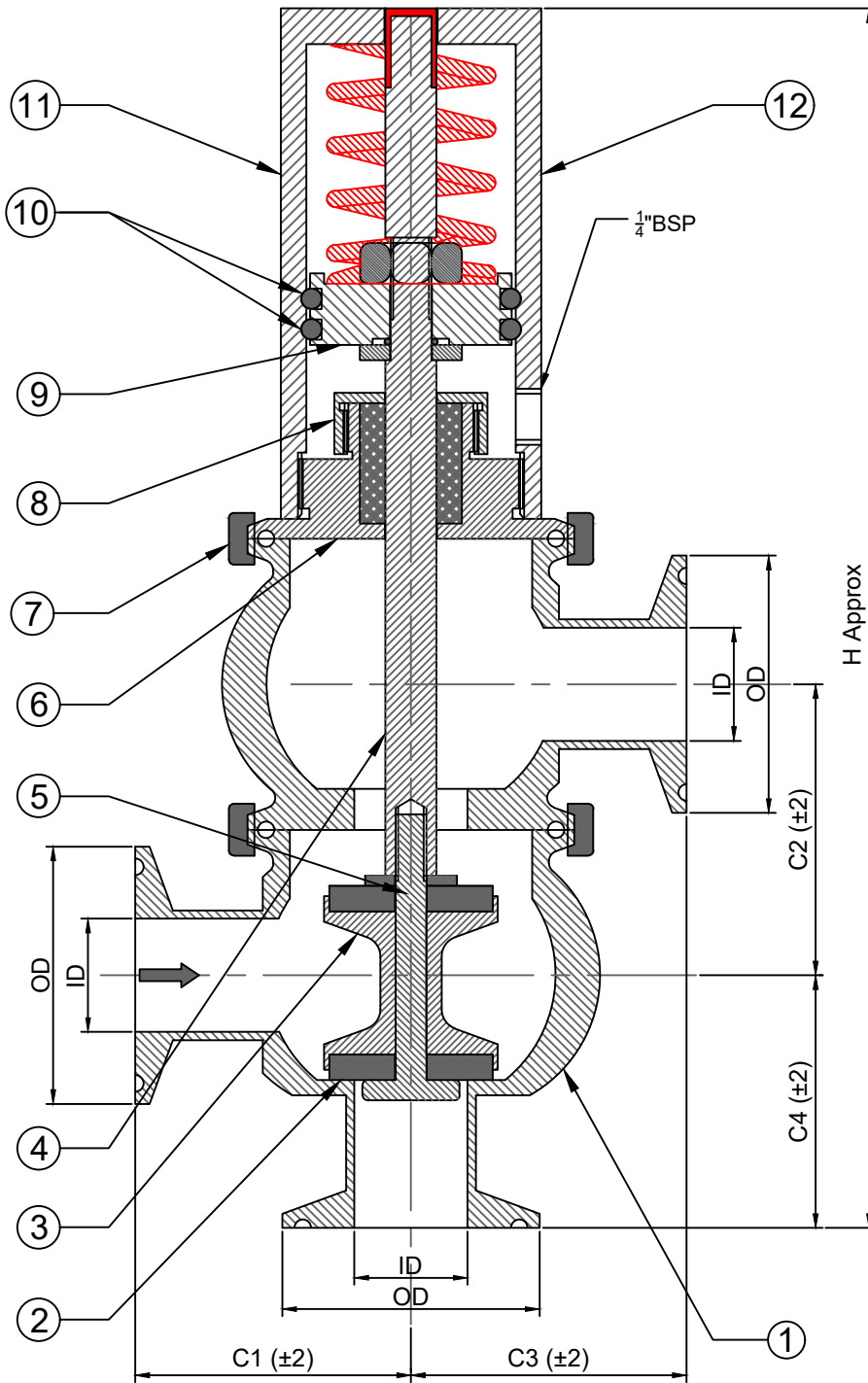
CLIENT NAME :- -----

CONSULTANT :- -----

PO.NO :- -----

NOTES:-

- 1- DO NOT SCALE THE DWG.
- 2- ALL DIMENSIONS ARE IN MM UNLESS OTHERWISE SPECIFIED.
- 3- GENERAL TOLERANCES = ±0.2.
- 4- MATERIAL WILL BE AS PER CUSTOMER REQUIREMENT. EXCEPT FOR STANDARD PARTS.



TECHNICAL SPECS.:-

- Body Test Pressure : 16 Bar.
- Seat Test Pressure : 10 Bar.
- Internal Surface Finish : ≤0.4 Micron.
- External Surface finish : Mirror.
- Valve Rating : PN10.
- Actuator Inlet Connection Size : ¼ " BSP(F).
- Max. Temperature : STD-120° C.
- Actuating Pressure 5 To 7 Bar.

STANDARD :-

- Designing - BS EN 13397 : 2002,
- Pipe Connection: ASME BPE : 2007,

SEAT :-

- Optional -EPDM, SILICON, VITON .

NO	DESCRIPTIONS	MOC	Qty.
12	ACTUATOR SPRING	SPRING STEEL	1
11	ACTUATOR	SS 304	1
10	SEALING RING	NITRILE	2
9	PISTON	AL.	1
8	GLAND NUT	SS 304	1
7	TC CLAMP	SS 304	2
6	BONNET	SS 316	1
5	BUD CAP LOCK BOLT	SS 316	1
4	SPINDLE	SS 316	1
3	BUD CAP	SS 316	1
2	SEAT	OPTIONAL	2
1	VALVE BODY	SS 316L	2

SIZE	C1	C2	C3	C4	ID	OD	H
DN 20	56	57	56	49.5	15.8	50.4	238
DN 25	54	57	54	49.5	22.2	50.4	238
DN 40	68	74	68	58	34.8	50.4	310
DN 50	75.5	92	75.5	67	47.6	64	346
DN 65	84	98	94	69	60.3	77	370
DN 80	91	110	105	76	73	91	410



DESCRIPTION : FLOW DIVERTER VALVES (S/FDV).

DRAW BY	KALPESH	13/08/2021	FOR :	REV.:- 0
DESIGN BY	SANDEEP	13/08/2021	SCALE : NTS	SHEET 1 OF 1.
CHD. BY	SANDEEP	13/08/2021	MODEL:S/FDV1	PROJ.
APPD. BY	PRK Sir	13/08/2021	DRG. NO : GA/S/FDV1/13-08-21	

