

MANUFACTURER :- MASCON TECHNEEDS.

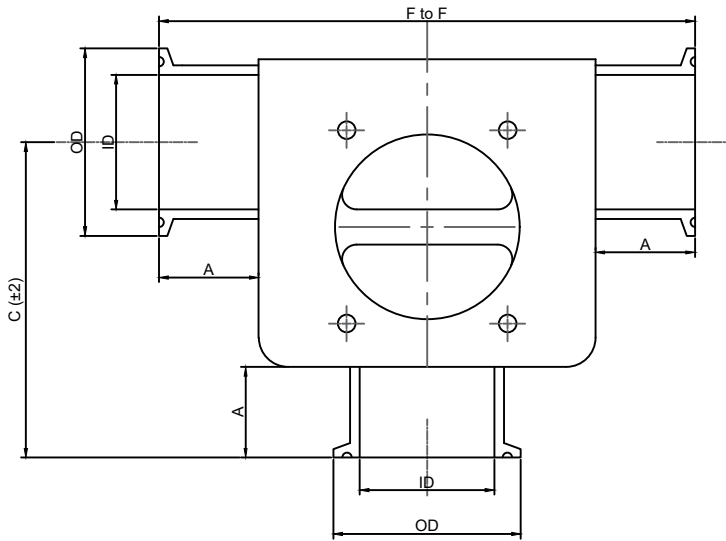
CLIENT NAME :- -----

CONSULTANT :- -----

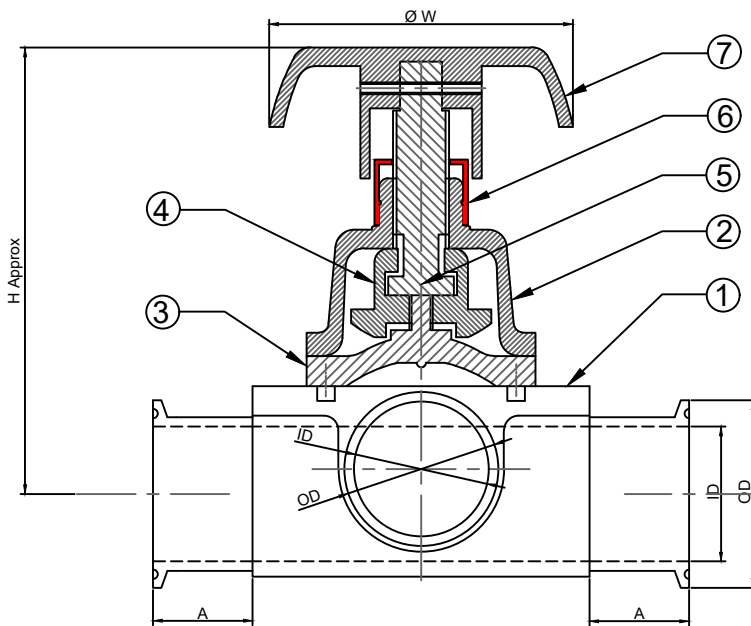
PO.NO :- -----

NOTES:-

- 1- DO NOT SCALE THE DWG.
- 2- ALL DIMENSIONS ARE IN MM UNLESS OTHERWISE SPECIFIED.
- 3- GENERAL TOLERANCES = ±0.2.
- 4- MATERIAL WILL BE AS PER CUSTOMER REQUIREMENT. EXCEPT FOR STANDARD PARTS.



TOP VIEW



FRONT VIEW

TECHNICAL SPECS.:-

- Body Test Pressure : 16 Bar.
- Seat Test Pressure : 10 Bar.
- Internal Surface Finish : ≤ 0.4 Micron.
- External Surface finish : As Cast.
- Valve Rating : PN10.
- Max. Temperature : STD-120° C.

STANDARD :-

- Designing - BS EN 13397 : 2002,
- Pipe Connection: ASME BPE : 2007,
- Face to Face : BS EN 558-1 :1996.

DIAPHRAGM :-

- Optional -ED+TF, EPDM,SILICON, ED+TFP .

7	WHEEL	ABS / SS 304	1
6	INDICATOR	PP	1
5	SPINDLE	SS 304	1
4	COMPRESSOR	SS 304	1
3	DIAPHRAGM	OPTIONAL	1
2	VALVE BONNET	SS 304	1
1	VALVE BODY	SS 316L	1
NO	DESCRIPTIONS	MOC	Qty.

Size	A	OD	ID	F to F	C	H	W
DN 20	40	50.4	15.8	134	79	88	65
DN 25	40	50.4	22.2	145	84	116	88
DN 40	40	50.4	34.8	165	102	157	120
DN 50	40	64	47.6	195	121	180	120
DN 65	40	77	60.3	218	141	184	120



DESCRIPTION : ZERO DEAD LEG VALVE MANUAL (T TYPE)

DRAW BY	KALPESH	13/08/2021	FOR :	REV.:- 0
DESIGN BY	SANDEEP	13/08/2021	SCALE : NTS	SHEET 1 OF 1.
CHD. BY	SANDEEP	13/08/2021	MODEL : 2711M	PROJ.
APPD. BY	PRK Sir	13/08/2021	DRG. NO :GA/2711M/13-08-21	