

MANUFACTURER :- MASCON TECHNEEDS

CLIENT NAME :- -----

CONSULTANT :- -----

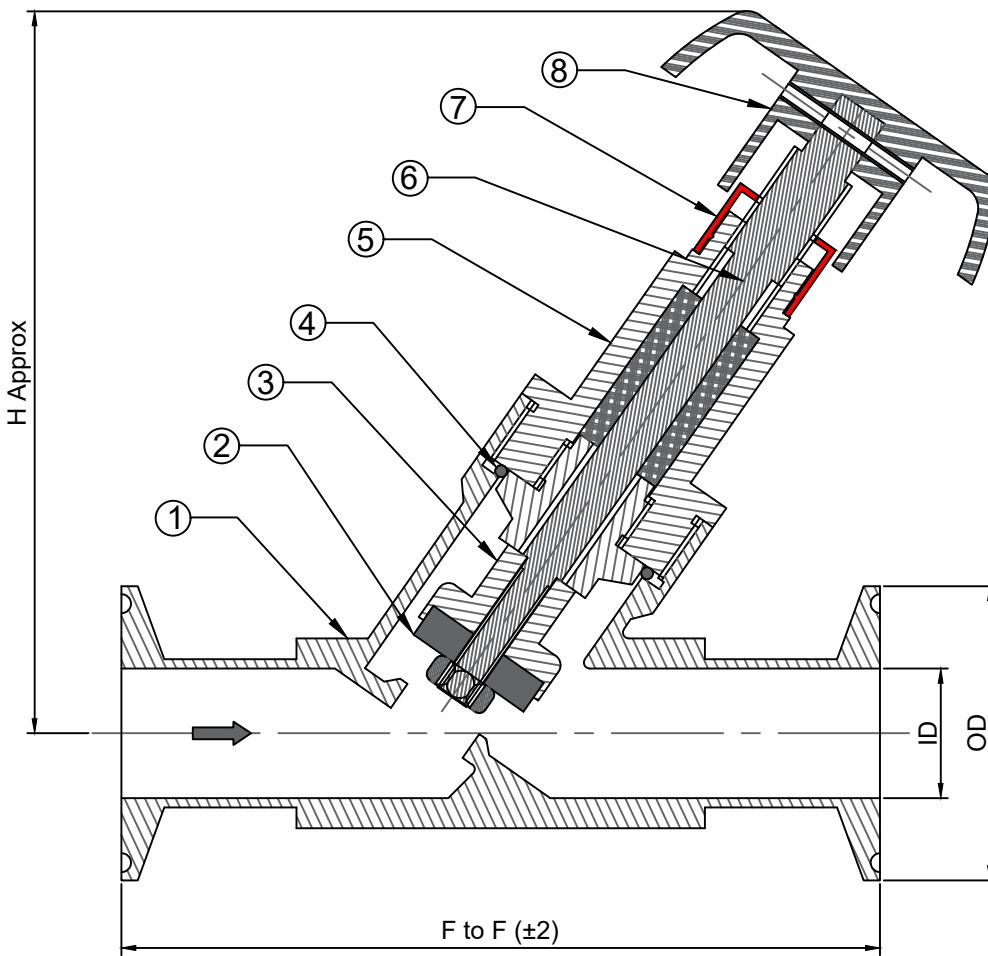
PO.NO :- -----

NOTES:-

- 1- DO NOT SCALE THE DWG.
- 2- ALL DIMENSIONS ARE IN MM UNLESS OTHERWISE SPECIFIED.
- 3- GENERAL TOLERANCES = ±0.2.
- 4- MATERIAL WILL BE AS PER CUSTOMER REQUIREMENT. EXCEPT FOR STANDARD PARTS.

TECHNICAL SPECS.:-

- Body Test Pressure : 16 Bar.
- Seat Test Pressure : 10 Bar.
- External Surface finish : As Cast.
- Valve Rating : PN10.
- Max. Temperature : STD-150° C.



STANDARD :-

- Pipe Connection: ASME BPE : 2007,

Size	F to F	OD	ID	H
DN 15	135	25/50.4	9.4	121
DN 20	119	50.4	15.8	121
DN 25	130	50.4	22.2	124
DN 40	138	50.4	34.8	160
DN 50	162	64	47.6	164
DN 65	178	77	60.3	161

NO	DESCRIPTIONS	MOC	Qty.
8	WHEEL	ABS	1
7	SLEEVE	PP	1
6	SPINDLE	SS 316	1
5	BONNET	SS 304	1
4	SEALING RING	VITON	1
3	BUD CAP	SS 316	1
2	SEAT	PTFE	1
1	VALVE BODY	SS 316	1



DESCRIPTION : MANUALLY OPERATED 'Y' TYPE PISTON VALVE.

DRAW BY	KALPESH	13/08/2021	FOR :	REV.-: 0
DESIGN BY	SANDEEP	13/08/2021	SCALE : NTS	SHEET 1 OF 1.
CHD. BY	SANDEEP	13/08/2021	MODEL:212M/TC	PROJ.
APPD. BY	PRK Sir	13/08/2021	DRG. NO : GA/212M/TC/13-08-21	