

MANUFACTURER :- MASCON TECHNEEDS

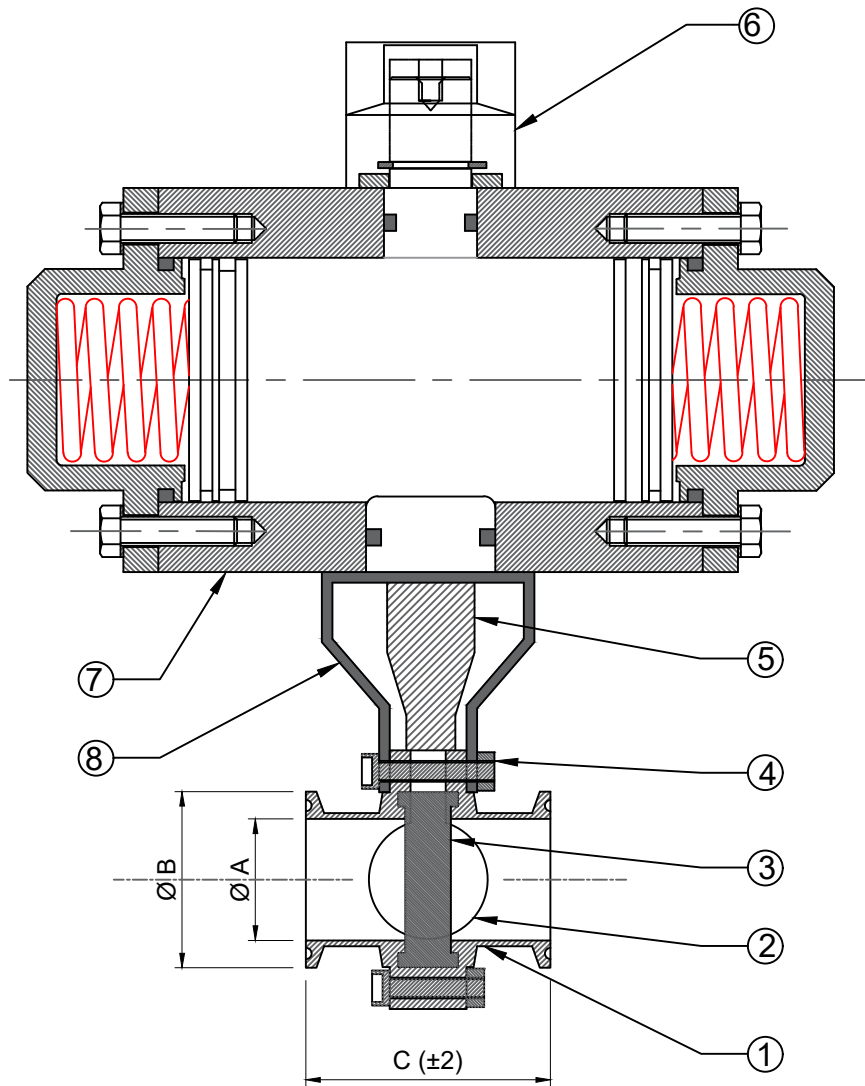
CLIENT NAME :- -----

CONSULTANT :- -----

PO.NO :- -----

NOTES:-

- 1- DO NOT SCALE THE DWG.
- 2- ALL DIMENSIONS ARE IN MM UNLESS OTHERWISE SPECIFIED.
- 3- GENERAL TOLERANCES = ± 0.2 .
- 4- MATERIAL WILL BE AS PER CUSTOMER REQUIREMENT. EXCEPT FOR STANDARD PARTS.

**TECHNICAL SPECS.:-**

- Body Test Pressure : 16 Bar.
- Seat Test Pressure : 10 Bar.
- Internal Surface Finish : ≤ 0.4 Micron.
- External Surface finish : As Cast.
- Valve Rating : PN10.
- Actuator Inlet Connection Size : $\frac{1}{8}$ " BSP(F).
- Max. Temperature : STD-120° C.
- Actuating Pressure 5 To 7 Bar.

STANDARD :-

- Designing - BS EN 13397 : 2002,
- Pipe Connection: ASME BPE : 2007,
- Face to Face : BS EN 558-1 :1996.

SIZE	A	B	C
DN25	22.1	50.4	66
DN40	34.8	50.4	70
DN50	47.5	64	71
DN65	60.2	77	74
DN80	72.2	91	75
DN100	97.5	119	100

NO	DESCRIPTIONS	MOC	Qty.
8	BRACKET	SS 304	1
7	ROTARY ACTUATOR	AL.	1
6	INDICATOR	SS 304	1
5	LINKAGE	SS 304	1
4	ALLEN BOLT & NUT	SS 304	4SET
3	SEAT & SEALING	SILICON	1
2	FLAP	SS 316L	1
1	VALVE BODY	SS 316L	1

DESCRIPTION : PNEUMATIC OPERATED BUTTERFLY VALVE WITH ROTARY ACTUATOR.

DRAW BY	KALPESH	21/0/2022	FOR :	REV.:- 0
DESIGN BY	SANDEEP	21/0/2022	SCALE : NTS	PROJ.
CHD. BY	SANDEEP	21/0/2022	SHEET 1 OF 1.	
APPD. BY	PRK Sir	21/0/2022	MODEL: RS/44S/TC	
			DRG. NO : GA/RS/44S/TC/21-01-22	

