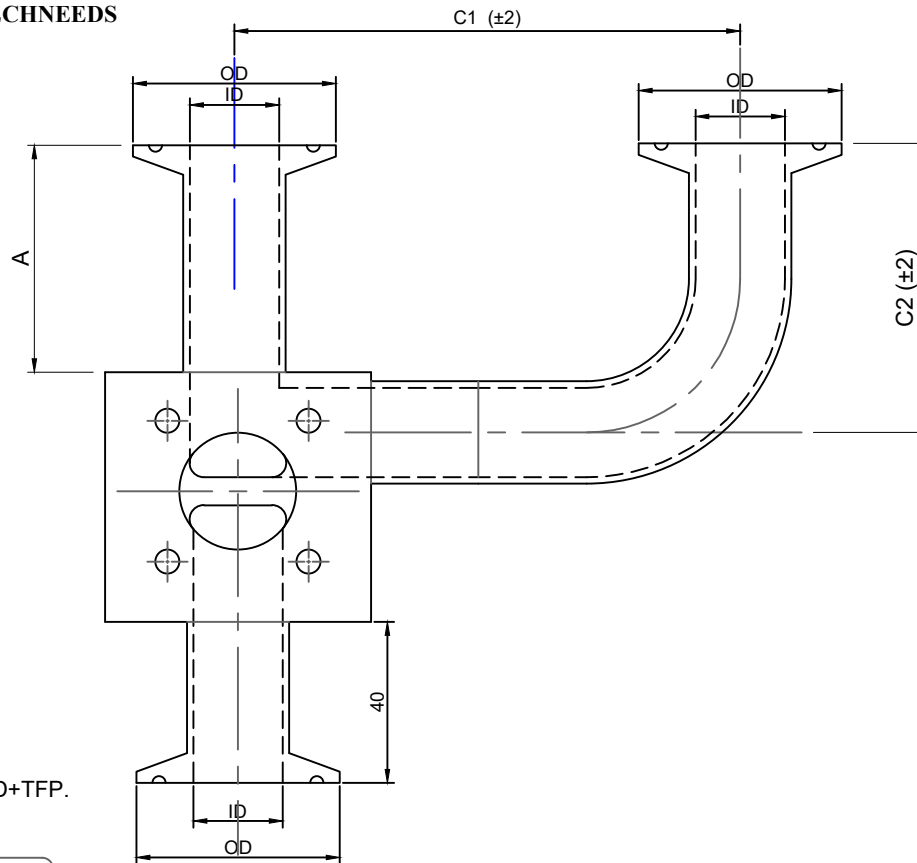


**MANUFACTURER :- MASCON TECHNEEDS**

**CLIENT NAME :- ---**

**CONSULTANT :- ---**

**PO.NO :- ---**



**STANDARD :-**

- Designing - BS EN 13397 : 2002,
- Pipe Connection: ASME BPE : 2007,
- Face to Face : BS EN 558-1 :1996.

**DIAPHRAGM :-**

- Optional -ED+TF, EPDM,SILICON, ED+TFP.

NO	DESCRIPTIONS	MOC	Qty.
8	ACTUATOR	GFN	1
7	ACTUATOR SPRING	SPRING STEEL	2
6	PISTON	AL.	1
5	SPINDLE	SS 304	1
4	VALVE BONNET	SS 304	1
3	COMPRESSOR	SS 304	1
2	DIAPHRAGM	OPTIONAL	1
1	VALVE BODY	SS 316L	1

MODEL	OD	ID	C1	C2	A	H1	H2	W
DN20XDN20	50.4	15.8	107	70	51	32	143	97
DN25XDN25	50.4	22.2	120	70	55	38	150	97
DN40XDN40	50.4	34.8	141	85	64	51	202	153
DN50XDN50	64	47.6	168	95	68	65	211	153
DN65XDN65	77	60.2	197	117	84	78	211	153

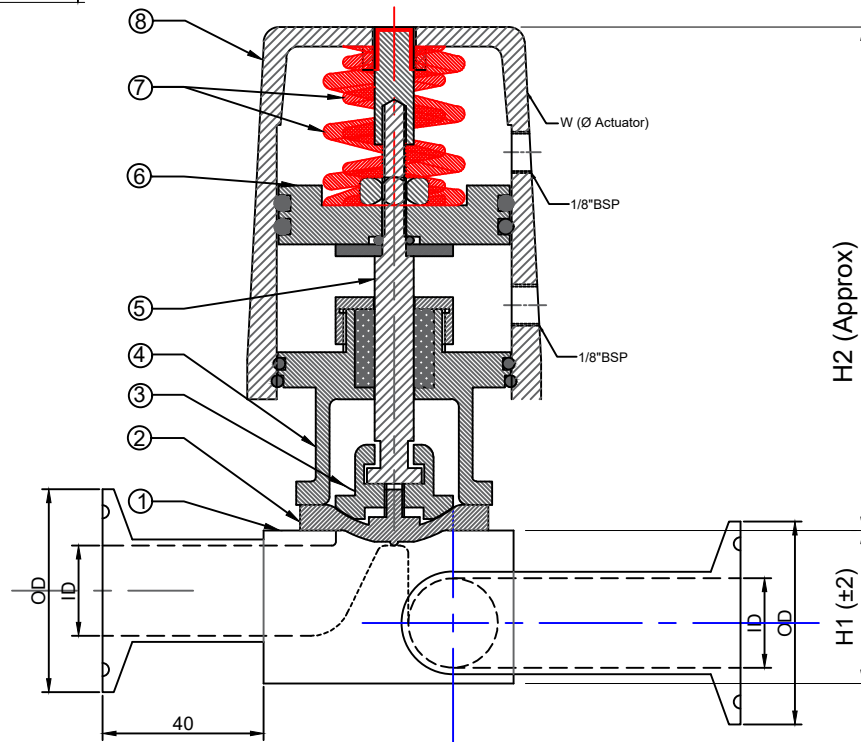
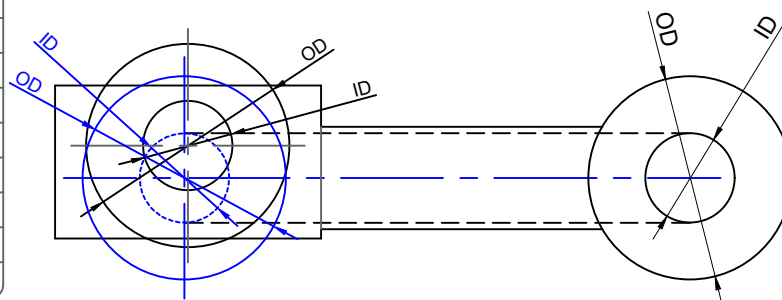
Note:- Mascon Reserve all the Rights to Change And Modifie Design of the Valve Keeping all The Approved Dimensions and functioning Parameter Intact.

**NOTES:-**

- 1- DO NOT SCALE THE DWG.
- 2- ALL DIMENSIONS ARE IN MM UNLESS OTHERWISE SPECIFIED.
- 3- GENERAL TOLERANCES = ±0.2.
- 4- MATERIAL WILL BE AS PER CUSTOMER REQUIREMENT. EXCEPT FOR STANDARD PARTS.

**TECHNICAL SPECS.:-**

- Body Test Pressure : 16 Bar.
- Seat Test Pressure : 10 Bar.
- Internal Surface Finish : ≤ 0.4 Micron.
- External Surface finish : As Cast.
- Valve Rating : PN10.
- Actuator Inlet Connection Size : 1/8" BSP(F).
- Max. Temperature : STD-120° C.
- Actuating Pressure 5 To 7 Bar.



DESCRIPTION : PNEUMATIC OPERATED "L" TYPE BLOCK DIAPHRAGM VALVE.

DRAW BY	KALPESH	09/04/2022	FOR :	REV.:- 0
DESIGN BY	SANDEEP	09/04/2022	SCALE : NTS	SHEET 1 OF 1.
CHD. BY	SANDEEP	09/04/2022	MODEL: 2811P	PROJ.
APPD. BY	PRK Sir	09/04/2022	DRG. NO :GA/2811P/13-04-22	

